

MC-60A

INSTRUCTION MANUAL

KENWOOD

KENWOOD CORPORATION

© B62-1643-00 (M)
09 08 07 06 05 04 03 02 01 00

THANK YOU

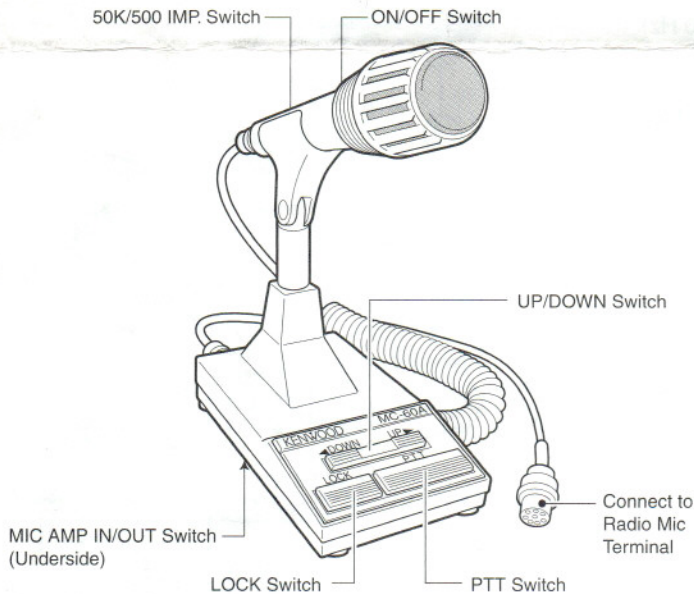
Thank you for purchasing this MC-60A desktop microphone. This microphone has been designed expressly for use with your amateur communications system. It provides excellent performance when used with any **KENWOOD** transceiver, thereby upgrading your existing system.

The zinc die-cast base offers improved stability and is complete with a feather-touch **PTT** switch, an impedance selector switch, and a built-in preamplifier.

PRECAUTIONS

- The microphone is constructed of precision parts. Do not open the microphone as it may result in serious damage.
- The microphone is sensitive to shock and vibration. Treat it with care.

ORIENTATION

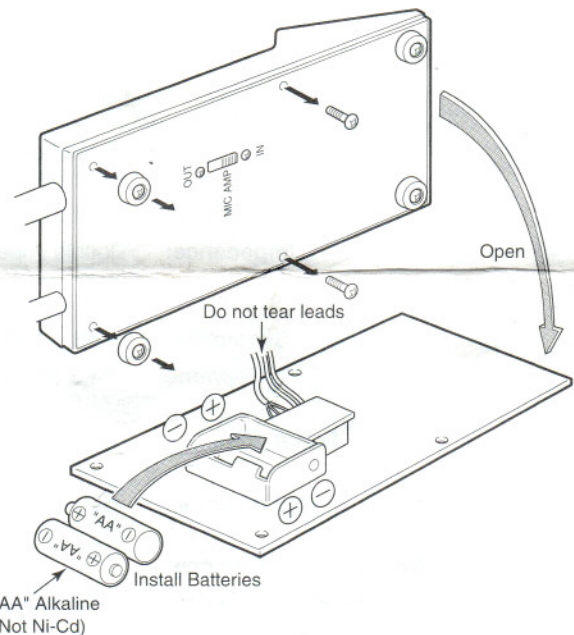


SETTING UP

■ Installing the Batteries

- 1 Remove the 4 screws from the base of the microphone and gently separate the base from the microphone unit.
- 2 Insert two AA batteries into the battery compartment, being sure to match the polarities with those marked in the compartment.
- 3 Replace the 4 screws.

Note: If your transceiver supplies power through its microphone connector, you do not need to install the two AA batteries.



■ Connecting to the Transceiver

- 1 Slide the microphone into the bracket on the base stand.
- 2 Connect the non-coiled cable from the rear of the base stand to the rear of the microphone.
- 3 Connect the retractable cable from the base to the transceiver's microphone jack.

OPERATION

Transmitting

To transmit, press and hold the **PTT** switch, then speak into the microphone.

- The MC-60A is equipped with a **LOCK** switch which allows you to lock the **PTT** switch down without continuously pressing it. While pressing the **PTT** switch, press the **LOCK** switch to keep the **PTT** switch locked. To release the **LOCK** switch, simply press it again.

When you have finished speaking, release the **PTT** switch to receive.

Impedance Selection

You can set the microphone impedance to 500 Ω or 50 kΩ. Slide the **50K/500 IMP.** switch on the top of the microphone to your desired position.

Microphone Preamplifier

You can use this microphone with any **KENWOOD** transceiver. It has been designed especially for FM and SSB mobile transceivers. You can control the preamplifier using the **MIC AMP IN/OUT** switch on the inside of the base of the transceiver.

First remove the base of the microphone, then slide the switch to the **IN** position to turn the preamplifier **ON**.

- With the switch in the **OUT** position, the preamplifier is bypassed and the batteries are disconnected. To conserve battery power, turn the preamplifier **OFF** when it is not in use.
- With the switch in the **IN** position, the preamplifier is **ON** and the microphone can be used with **VOX** operated equipment.

Operation Without the Base Stand

You can use the microphone without the base stand by connecting the microphone to the retractable cable, then directly to the transceiver. Doing so means you can no longer use the preamplifier, which is built into the base stand.

With a direct connection to the transceiver, you must use the **ON/OFF** switch located on the top of the microphone when you transmit. Slide the switch to the **ON** position to transmit, and to the **OFF** position to receive.

UP/DOWN Switch

Use the **UP/DOWN** switch to select the transceiver's operating frequency. Refer to your transceiver instruction manual for further details on how to select an operating frequency.

SPECIFICATIONS

Type: Communication type dynamic microphone with PTT circuit.

Element: Moving coil type, unidirectional

Impedance: Dual impedance (1000 Hz)
50 kΩ ±30%, 500 Ω ±30%
slide switch selectable

Sensitivity: (0 dB = 1 V/ μBAR, 1000 Hz)

Microphone -54.5 dB ±3 dB/ 50 kΩ
-71.0 dB ±3 dB/ 500 Ω

Preamp out -56.0 dB ±3 dB/ 50 kΩ
-71.0 dB ±3 dB/ 500 Ω

Preamp in -50.5 dB ±3 dB/ 50 kΩ
-59.0 dB ±3 dB/ 500 Ω

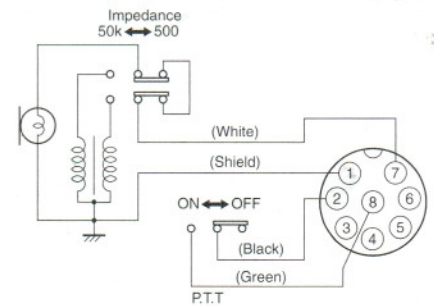
Frequency response:

Microphone or preamp off 150 Hz ~ 10 kHz (-6 dB)

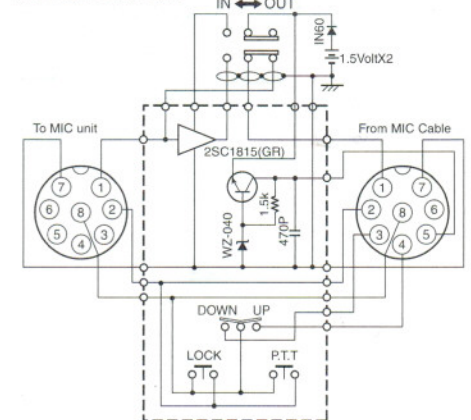
Preamp on 200 Hz ~ 7 kHz (-6 dB)

Recommended operating distance from microphone: 10 cm (4 inches) minimum

MIC unit connection



MIC stand connection



MIC cable connection

