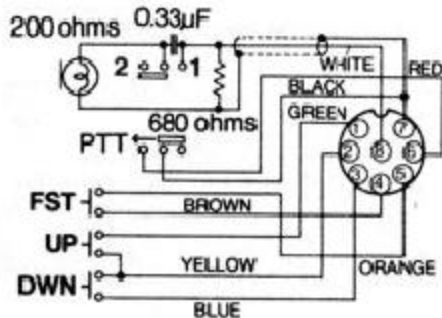
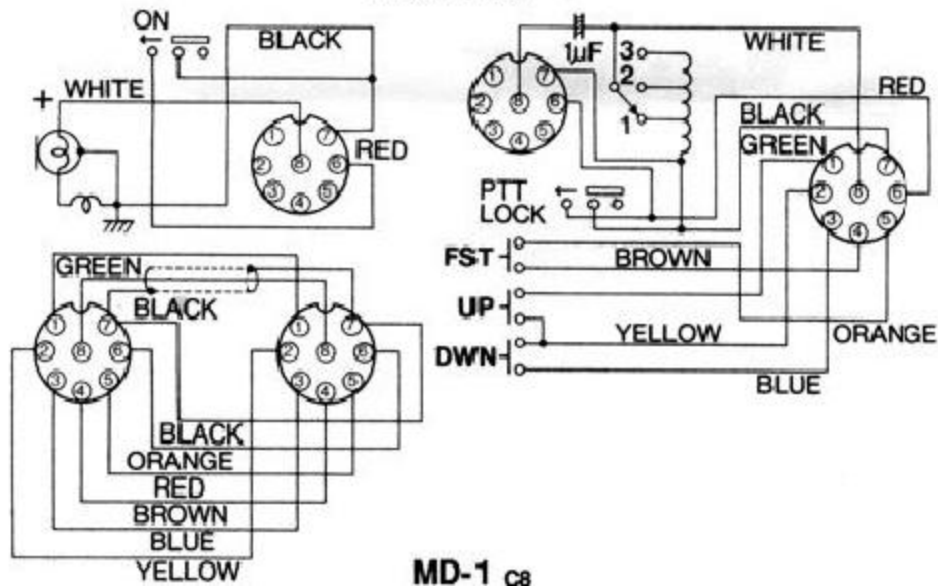
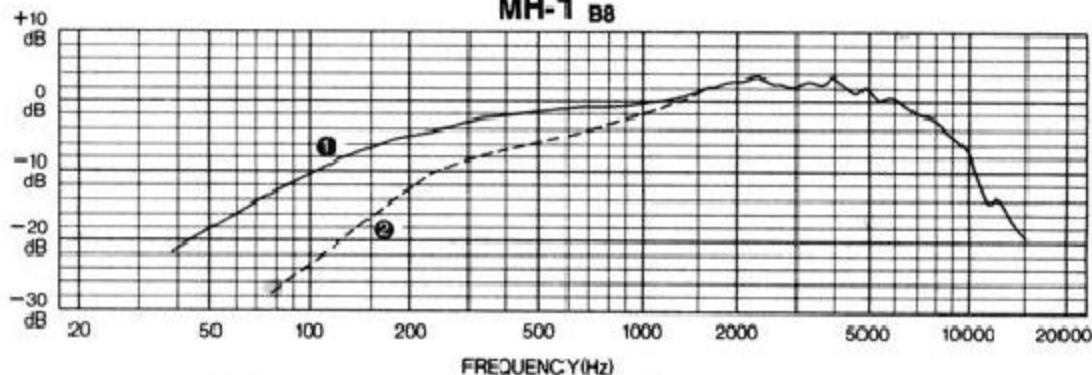


MH-1B8 Hand Mic and MD-1c8 Desktop Mic have 600-Ω impedance, and include UP/DWN scanning buttons and a large PTT switch. The MH-1B8 also has a 2-position transmit audio characteristic selector, while the MD-1c8 has a 3-position selector. Typical audio characteristic plots with the different switch settings are indicated in the graphs below.



YAESU MD-1c8

MH-1 B8



MD-1 c8

